



# A3008A-1

## MANUAL OPERATING TABLE

Registration code: SKF-C

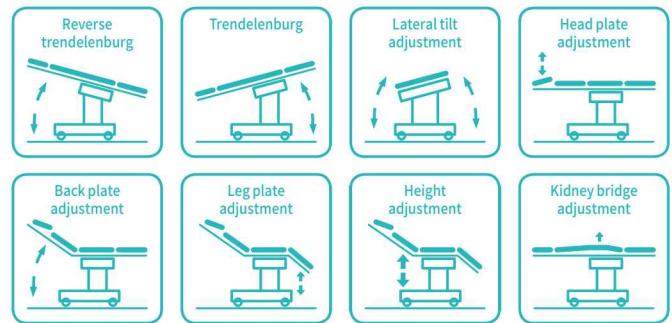


**SAIKANG** Medical

Healthier  
your life

# A3008A-1

## FEATURES AND HIGHLIGHTS

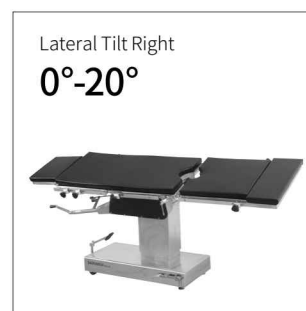


### Technical parameters

External Size (LxWxH):	2100x480x750-950 mm
Built-in Kidney Bridge:	0-100 mm
Back Plate Up/Down:	75°/5°
Head Plate Up/Down:	30°/90°
Trendelenburg/Reverse Trendelenburg:	30°/30°
Lateral Tilt Left/Right:	20°/20°
Leg Plate Down:	90°
Patient Weight Capacity:	250 kg
X-rays translucent:	optional with extra charge
C-arm compatible:	NO
Multi-functional orthopedic frame:	YES

### Technical configuration

<input checked="" type="checkbox"/> Anesthesia Screen Frame	1pc
<input checked="" type="checkbox"/> Mattress	1set
<input checked="" type="checkbox"/> Kidney Bridge Handle	1pc
<input checked="" type="checkbox"/> Arm Support with Cushion	2pcs
<input checked="" type="checkbox"/> Leg Support with Cushion	2pcs
<input checked="" type="checkbox"/> Shoulder Support with Cushion	2pcs
<input checked="" type="checkbox"/> Body Support with Cushion	2pcs
<input checked="" type="checkbox"/> Long Fixing Clamp	1pair
<input checked="" type="checkbox"/> Fixing Clamp	8pcs



**Application**

This operating table is a comprehensive multi-function type, suitable for medical units to perform various operations, all movements are controlled by the manual cranks.



**Material**

The base, column and side holder are all made of high quality 304 stainless steel, which is anti-corrosive and can be easily cleaned.



**Control System**

Foot treadle brake device which is easily for moving operating table.



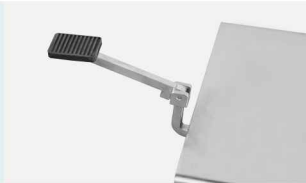
**Built-In Kidney Bridge**

Built-In kidney bridge, more convenient and nice appearance.



**Hydraulic**

The height adjustment controlled by hydraulic pump.

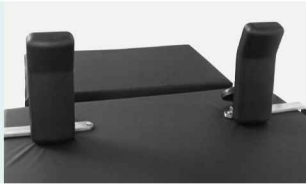


**Mattress**

PU cover, custom mattress, easy disassembly and cleaning, thickness of mattress: 6cm



**Shoulder Support with Cushion**



**Anesthesia Screen Frame**



**Arm Support with Cushion**



**Leg Support with Cushion**



**Body Support with Cushion**





## INNOVACIÓN INNOVATION



Design



Research



Manufacturing



Maintenance



Service



## SUCURSALES BRANCHES

### South America Branch

Saikang Medical Technology, Inc  
17800 Castleton Street, Suite 80,  
City of Industry, CA 91748, California, USA  
Tel: +1 909 487 7650  
Brazil  
TEL: +55 (11) 2758-0438

### East Africa Branch

Saikang Medical Technology Ltd  
Kevau Road, Upper Repeta, 116 High Road Wood  
Londres, London, N22 8HH, Londres.  
Tel.: +44 2032399738

### South East Asia Branch

Saikang Medical Technology Ltd  
Truda 174,  
Wattana District, 10110 Chelyabinsk,  
Bangkok Thailand  
TEL: +66 642741046

### UK Branch

UK Healthward International Limited  
196 High Road Wood  
London, N22 8HH  
TEL: +31 (0) 202111116

### Russia Branch

LLC 'SAIKANG'  
454004, Russian Federation,  
Saikang Medical Solutions Ltd.  
Unit 3, Mombasa  
Road, P.O. Box 14067-00100, Nairobi,  
Kenya. TEL: +7 (919)300-00-06  
Tel: +254 733 704 690

### Mid East Branch

Saikang Medical Supplies (Mid East) LLC  
Saikang Medical Supplies LLC  
X22-S03, Fongda Cluster, Dubai,  
International City, Dubai,  
Emirates, Arab Emirates  
Tel.: +20 128 8962497

# SAIKANG / Medical

Jiangsu Saikang Medical Equipment Co., Ltd.  
STOCK CODE: 870098

No. 35, Lehong Road · Zhangjiagang (Jiangsu) · China

+86 18021231901 · 24/7

sales@saikangmedical.com

www.saikangmedical.com



Company video



General catalogue